

Wire Saddle

Nylon 66, 1.3 mm



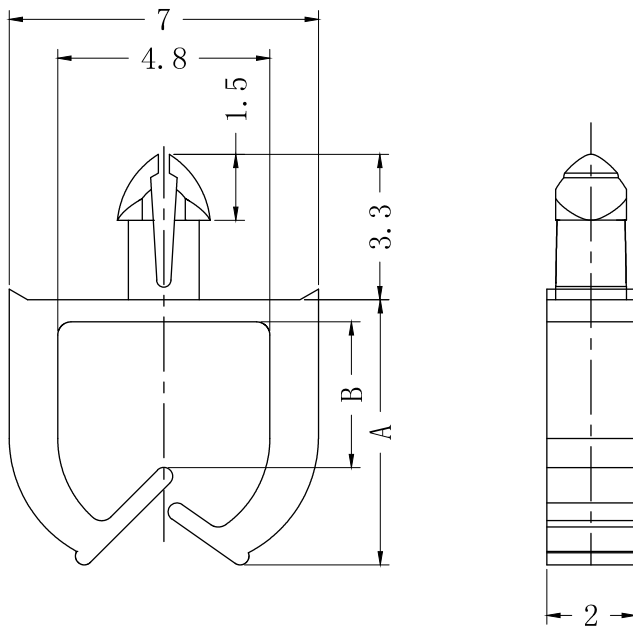
FEATURES:

Durable

Arrowhead mount

SPECIFICATION:

Material	Nylon 66
Colour	Natural
Affixing Method	Snap Lock
A	4 mm
B	1.3 mm
Hole Diameter	1.7±0.08 mm
Panel Thickness	1.6 mm



Art. Nr.

RND 610-00332